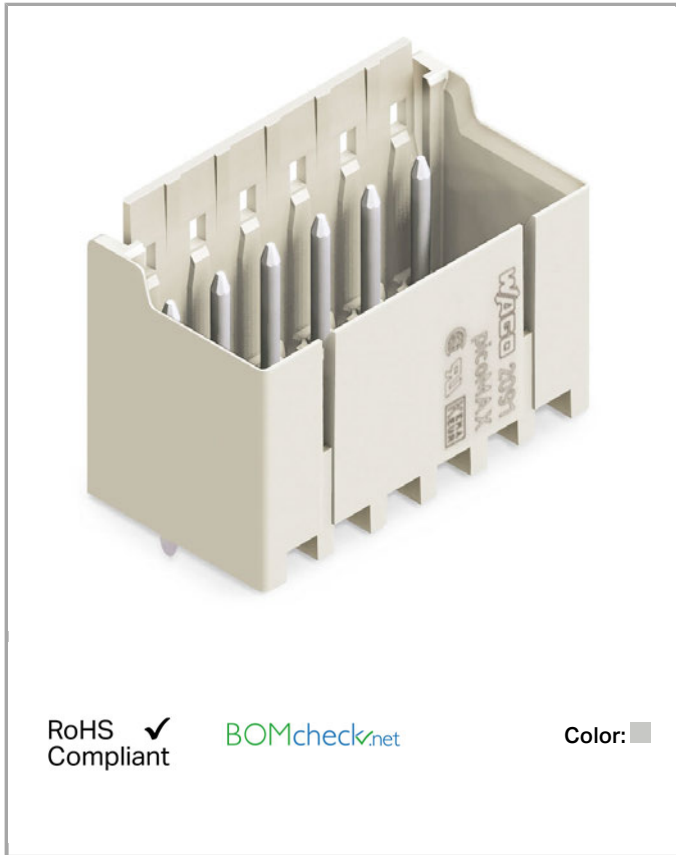


Data sheet | Item number: 2091-1404/200-000

THR male header; 1.0 mm Ø solder pin; straight; Pin spacing 3.5 mm; 4-pole;
light gray



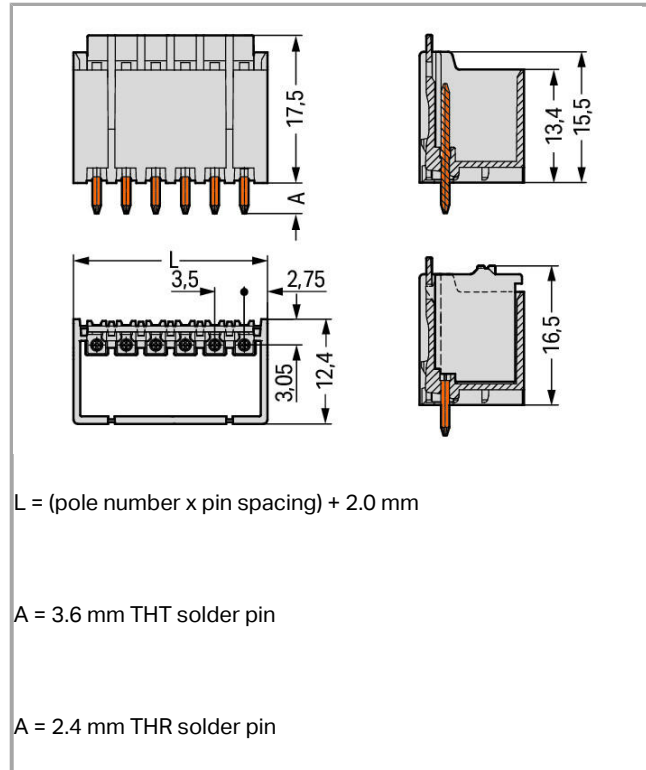
2091-1404_200-000



RoHS Compliant

[BOMcheck.net](https://www.bomcheck.net)

Color:



$L = (\text{pole number} \times \text{pin spacing}) + 2.0 \text{ mm}$

A = 3.6 mm THT solder pin

A = 2.4 mm THR solder pin

Item description

- Assembly of female connectors without loss of poles, allowing different functions to be divided within one male header
- Coding pins inserted into the header interface prevent mismatching, allowing subsequent coding in panel feedthrough applications
- The female connector is fully shrouded by the male header's housing, providing vibration resistance up to 20 g

Safety information 1:

The **picoMAX® pluggable connection system** is designed without breaking capacity for compliance with DIN EN 61984. When used as intended, MCS Connectors shall not be connected/disconnected when live or under load. The circuit design should ensure header pins, which can be touched, are not live when unmated.

Data

Electrical data

Ratings per IEC/EN 60664-1

| | |
|---------------------------------|--------|
| Rated voltage (III / 3) | 160 V |
| Rated impulse voltage (III / 3) | 2.5 kV |
| Rated voltage (III / 2) | 160 V |
| Rated impulse voltage (III / 2) | 2.5 kV |
| Rated voltage (II / 2) | 320 V |
| Rated impulse voltage (II / 2) | 2.5 kV |
| Rated current | 10 A |

Approvals per UL 1059

| | |
|--------------------------------|-------|
| Rated voltage UL (Use Group B) | 300 V |
| Rated current UL (Use Group B) | 10 A |
| Rated voltage UL (Use Group D) | 300 V |

Connection data

| | |
|----------------------------|---|
| Total number of potentials | 4 |
| Number of connection types | 1 |
| Number of levels | 1 |
| No. of poles | 4 |

Geometrical Data

| | |
|-------------------------|----------------------|
| Pin spacing | 3.5 mm / 0.138 inch |
| Width | 16 mm / 0.63 inch |
| Height | 19.9 mm / 0.783 inch |
| Height from the surface | 17.5 mm / 0.689 inch |
| Depth | 12.4 mm / 0.488 inch |
| Solder pin length | 2.4 mm |
| Solder pin diameter | 1 mm |

Plug connection

| | |
|------------------------------------|---------------------|
| Contact type (pluggable connector) | Male connector/plug |
| Connector connection type | for PCBs |
| Mismating protection | No |
| Mating direction to the PCB | 90° |
| Locking of plug-in connection | Male locking latch |

PCB contact

| | |
|-------------|-----|
| PCB contact | THR |
|-------------|-----|

Material Data

| | |
|-----------------------------|----------------------------------------|
| Color | light gray |
| Material group | I |
| Insulating material | Polyphthalamide (PPA GF) |
| Flammability class per UL94 | V0 |
| Contact material | Electrolytic copper (E _{Cu}) |
| Contact plating | tin-plated |
| Fire load | 0.033 MJ |
| Weight | 1.45 g |

Environmental Requirements


| | |
|-------------------------|-------------|
| Limit temperature range | -60 +100 °C |
|-------------------------|-------------|

Commercial data



| | |
|--------------------|---------------|
| Country of origin | DE |
| GTIN | 4050821396116 |
| Customs Tariff No. | 85366990990 |

Approvals / Certificates

Radio-Approvals

| Logo | Approval | Additional Approval Text | Certificate name |
|------------------------------------------------------------------------------------|----------------------------------------------|--------------------------|------------------|
| | CB DEKRA Certification B.V. | IEC 61984 | NL-49736 |
|  | KEMA/KEUR DEKRA Certification B.V. | EN 61984 | 71-102260 |

Other Approvals

| Logo | Approval | Additional Approval Text | Certificate name |
|------------------------------------------------------------------------------------|---------------------------------------------|--------------------------|------------------|
|  | UR Underwriters Laboratories Inc. | UL 1977 | E45171 |
|  | UR Underwriters Laboratories Inc. | UL 1059 | E45172 |
| | UR Underwriters Laboratories Inc. | UL 1059 | E45172 |



Compatible products

Coding



Item no.: 2091-1610

Coding key carrier; suitable for 3.5 mm pin spacing; orange

2091-1610

Downloads

Documentation

Additional Information

Technical explanations

Apr 3, 2019

pdf
3.6 MB

Download

CAD/CAE - Smart Data

CAD data

3D Download 2091-1404/200-000

URL

Download

Product family

picoMAX

Show all products from the family

Subject to changes.
